



oceania
SOLUTIONS GROUP

Chilled Water Cassettes

Technical IOM Manual



euroclima[®]



Your projects, challenges and requirements are our focus. We have a dedicated team that can engineer tailored solutions for your commercial HVAC application.

Oceania Solutions Group is an Australian owned business that focuses on providing engineered HVAC solutions. We value the importance of relationships with our clients and partners. Our team enjoy collaborating and solving complex 'design and construct' projects for your business with our product solutions.

Oceania Solutions Group are proud of our extensive portfolio and experience within HVAC industry. From industrial applications through to commercial air conditioning installations for tropical and high humidity environments.

Operating throughout Australia, New Zealand and the South Pacific Islands, we provide engineered technical data and commercial support for a wide range of HVAC solutions.

Our experienced team of HVAC professionals work hand-in-hand with market leading suppliers of HVAC solutions and equipment.

With international accreditation from Eurovent, CTI, AHRI, TÜV and AMCA, our products are rigorously tested and certified, meeting Australian and New Zealand standards and regulations.

Partnering with trusted international suppliers, we are available to provide an engineered solution for your next project.

Contents

Technical data	05
General information	07
Important notes	08
Single Cassette - Unit description and dimension	09
Single Cassette - Installation	10
Double Cassette - Unit description and dimension	13
Double Cassette - Installation	14
Single Cassette - Water connections	17
Double Cassette - Water connections	18
Single Cassette - Dimensional drawings	19
Double Cassette - Dimensional drawings	20
Use manual for wireless remote control CT-CD	21
Series "CT" single fan cassettes	22
Series "CT" single fan cassettes with electric heater	23
Series "CT" double fan cassettes	24
Series "CD" double fan cassettes with electric heater	25
Notes	26



Better air since 1963

Euroclima is a company with extensive international operations, four manufacturing facilities in Italy, Austria and India and more than 34,000 m² of production and offices. Euroclima specialise in the manufacturing and worldwide distribution of air handling units and fan coil units.

Euroclima has a well distributed network of sales and service across Europe, Asia, Middle East and Northern Africa. Our partners in various countries assume a surface covering responsibility for marketing, local servicing and optimal assistance.

The #1 partner for fan coil units

Euroclima offers a wide range of standardised and customised terminal units for residential and commercial buildings: hotels, offices, schools, stores and hospitals to name a few.

From simple, cost effective products for comfort applications, to specialised equipment such as double skin fan coils for marine or medical applications. Euroclima can provide you the right terminal units to meet your exact needs. Specialised products can be designed for individual projects with components such as EC motors or UVC lamps. All Euroclima terminals can be equipped with factory mounted controls.



Chilled water cassette

Euroclima chilled water cassettes are the under ceiling mounted solution for hotels and offices for summer cooling and winter heating.

The units are equipped with elegant ABS casing adjustable blades for optimal air distribution, high efficiency heat exchanger, drain pan, 3 speed fan, IR remote control, manual switch, signaling LEDs, removable, regenerable and washable air filter.

Product warranty

The Euroclima HW series, chilled water units are supplied with a parts warranty for either 12 months from start-up or 16 months from invoice date, whichever is to occur first.

A parts and labour warranty can be obtained at the time of purchasing the units. Please contact your local Oceania Solutions Group representative for further details.

Technical data

AC Fans

AC Technical Data					Cooling		Conditions			Heating	Sound
Unit	Model	Pipes	Number of Speeds	Flow (l/s)	Total (kW)	Sensible (kW)	Air On (DB °C)	Air On (WB °C)	Air Off (DB °C)	Total (kW)	Lp (dBa)
CT	031-2R	2T	3	162	3.21	2.00	27	19.5	16.3	-	39
CT	049-2R	2T	3	209	5.04	3.28	27	19.5	13.5	-	47
CT	065-3R	2T	3	223	6.83	4.32	27	19.5	10.3	-	49
CT	075-4R	2T	3	264	9.03	5.65	27	19.5	10.8	-	52
CD	090-3R	2T	3	306	9.34	6.05	27	19.5	10	-	45
CD	102-3R	2T	3	348	10.62	6.82	27	19.5	10.1	-	49
CD	122-4R	2T	3	420	12.63	8.05	27	19.5	10.5	-	53
CT	031-2R-1R	4T	3	162	3.21	2.00	27	19.5	16.3	5.27	39
CT	049-2R-1R	4T	3	209	5.04	3.28	27	19.5	13.5	6.23	47
CT	065-3R-1R	4T	3	223	5.52	3.5	27	19.5	10.3	6.54	49
CT	075-4R-1R	4T	3	264	7.61	4.82	27	19.5	10.8	7.27	52
CD	090-2R-1R	4T	3	306	7.05	4.6	27	19.5	10	8.57	45
CD	102-2R-1R	4T	3	348	7.72	5.06	27	19.5	10.1	9.41	49
CD	122-3R-1R	4T	3	420	12.63	8.05	27	19.5	10.5	10.39	53

Technical data

EC Fans



ebmpapst



EC Technical Data					Cooling		Conditions			Heating	Sound
Unit	Model	Pipes	EC (0-10V)	Flow (l/s)	Total (kW)	Sensible (kW)	Air On (DB °C)	Air On (WB °C)	Air Off (DB °C)	Total (kW)	Lp (dBa)
CT-EC	049-2R	2T	10	264	5.98	3.87	27	19.5	14.4	-	51
CT-EC	075-3R	2T	10	273	7.82	4.93	27	19.5	11.4	-	52
CD-EC	126-3R	2T	10	450	12.87	8.24	27	19.5	11.3	-	53
CT-EC	075-3R-1R	4T	10	273	7.82	4.93	27	19.5	11.4	7.38	52
CD-EC	126-3R-1R	4T	10	450	12.87	8.24	27	19.5	11.3	10.93	53
CT-EC	075-4R-1R	4T	10	273	9.27	5.81	27	19.5	8.6	9.37	52
CD-EC	126-4R-1R	4T	10	450	14.58	9.25	27	19.5	9.3	15.2	53



General Information

Ceiling fan coil chilled water cassettes "CT CD" series have been designed and produced for a double exigency: high performances balanced with the quietest fan technology, ensuring an innovative design for every type of environment.

There are two versions available: 2 or 4 pipe solutions. The CT series allows for the treatment of both summer and winter air conditioning with a uniform optimised distribution, high fan efficiency, which has been carefully incorporated into our design for this application.

The dimensions of the chassis and of the external panel are compatible with the European standard modules of false ceiling. The installation is simple thanks to the patented device, which allows a quick installation, avoiding all the typical disadvantages of this application.

The chilled water cassette is extremely versatile and suitable for multiple installations with a wide range of models and a variety of accessories available.

Frame

The frame dimensions meet European standards with a galvanised steel structure, internally insulated 3mm class '1' M1 fire proof closed cells with a foam coating to avoid condensation and corrosion.

It is pre-punched on the lateral side to be connected to an eventual external air duct. Additional insulation is provided to suit tropical installations.

Coils

The coils copper tubes and aluminium fins, have been projected on purpose for this cassette to curb the bulk and obtain a depth of only 250 mm. Water connections DN 3/4" Female Gas with manual air vent. Three types of heat exchangers are used in 2 tubes version: 2CT serie 2-Rows, 3CT and CD series 3-Rows. For version 4 tubes all coils are 2R+1-Rows.

Air distribution panel

The distribution panel is supplied in ABS (colour RAL 9010 pure white), consists of baffles manually adjustable, colour RAL 9003 (white). These provide a better air distribution both by heating and cooling and improve comfort conditions avoiding stratification effects, central intake grille removable, making internal maintenances is easy; the air supply nozzles, with air flow driven fins, are located on the lateral side. The overall dimensions are 620*620 mm (2CT-3CT), 1220*620 mm (CD).

Helicoidal fan

The fan is in ABS glass impeller dynamically and statically balanced. It provides the best solution for low noise functions. Motor PSC/AOM multi-speeds, single-phase, 230V/50Hz, IP21 class "B" with 6-speeds available, only 3 connected with autotransformer.

Condensation pump

The pump for condensation discharge is a standard supplied item and includes alarm contact.

Terminal block

The terminal block has included a protective fuse, easily accessible directly from the aspiration grille, which is located on the air distribution panel.

Air filter

Air filter the filter is of synthetic media with a efficiency of class EU2-G2-M1 class.

Controls

It is possible to remote control the cassette with one IR remote up to a maximum of four units (MEP A94).

Optional accessories



Elec digital thermostats



Actuators 0-10V and on/off



2-3 way chilled water valves and bypass



Electrical heater

Important notes

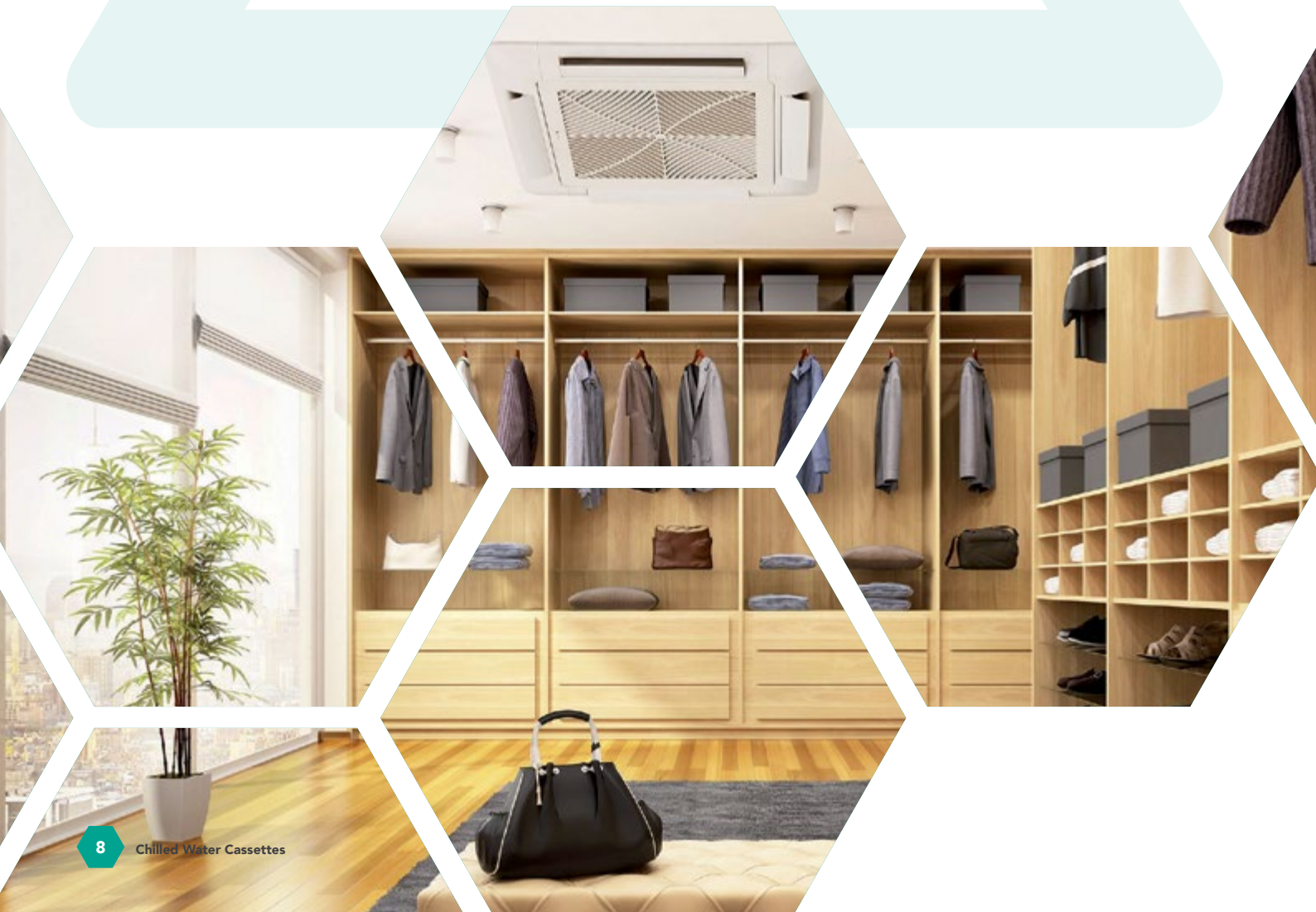
Warning: the manufacturer and supplier are not responsible for the incorrect installation of hydraulic and electrical connections.

Please carefully read this manual before installing and operating the CT CD series fan coil unit. It is recommended this manual is kept readily available and referred to for additional information about the unit, operation and maintenance.

- The unit must be installed following the local standard, safety codes and guidelines. Please contact the seller, installer or a qualified specialists.
- Follow the instructions below or incorrect and improper use during installation can cause the loss of the warranty or parts guarantee.
- Maintenance must only be performed by qualified specialists.
- Unplug or disconnect the power supply before maintenance or accessing the internal parts of the unit.
- Do not install or use a damaged device.
- In case of malfunction, switch off the unit, unplug the power supply and return to the seller or qualified specialists.
- Dispose of the packaging material following the local environmental regulations.

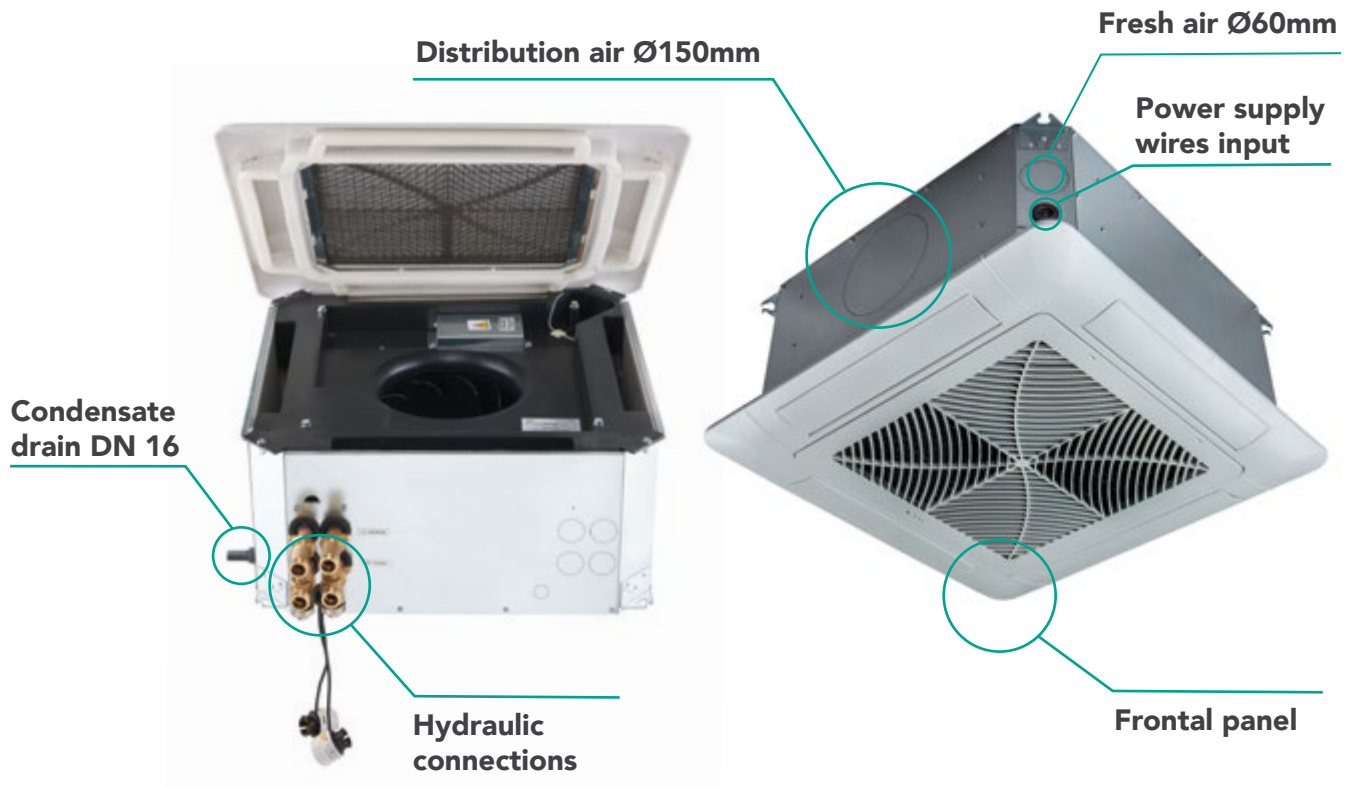
Unit acceptance, handling and storage.

- At the time of the delivery, please verify the correspondence between the order and the delivery docket.
- Verify the packaging integrity and, if inconsistencies with the order, damage or discrepancies are found, they must be reported on the delivery docket and promptly signaled to the supplier and manufacturing company.
- The unit must be stored in spaces protected from bad weather with a temperature between -10°C and 55°C.
- The handling and installation of the unit must be performed with the highest attention to prevent any damage of fragile parts; these operations can be facilitated with the help of the following manual.

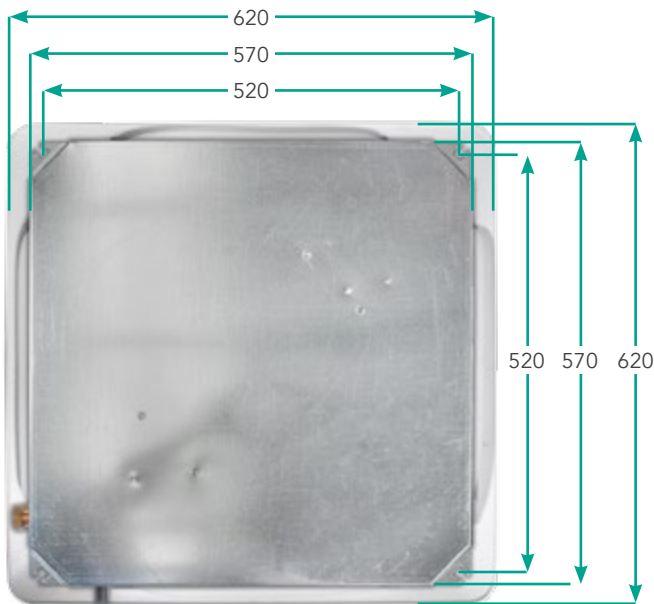


Single Cassette

Unit description and dimension



Bottom view



Side view



Operating limits

- Warnings
- Product description and dimension
- Operating limits
- Installation
- Fresh air system and remote air distribution
- Hydraulic connections

Installation

- Fix the unit on a ceiling or a solid support without vibrations.
- Do not install the appliance in a space exposed to sunlight or heat sources, vapor or flammable gas.
- Install the cassette so that the inlet and outlet air ducts are not obstructed; the air must circulate freely throughout the area that has to be air-conditioned.
- Install the unit in an easily accessible location, not to hinder the maintenance operations.

Unit fixing

The location of the cassette installation must be chosen so that all around the unit perimeter there is a space of at least 100 cm existing system (electrical or hydraulic) The machine must be fixed to the ceiling by the means of threaded rods with anchors adjusted according to the type of structure (to be provided by others) as described:

- The 4 holes positions in the structural ceiling must first be marked and the holes for the threaded rods must then be drilled (the dimensions are shown by Fig. A);
- The threaded rods must be securely fixed in the ceiling (their length depends on the distance between the ceiling and the structural ceiling);
- The unit must be lifted inserting the threaded rods in correspondence with the fixing slots and then blocked, using adequate washers and nuts (the arrangement is shown in Fig. B);
- Verify, using a spirit level, that the machine is perfectly horizontal and then fix the nuts and locknuts.

Panel fixing

Fixed tightly the unit, the plastic panel must be mounted using only and exclusively the screws provided (holes position in Fig. C).

To prevent the deformation of the grid, be careful not to overtighten the screws.

Renewal system and remote air distribution

The side openings allow the separate realisation of an external air intake duct for the renewal and of an air hose duct for an adjacent room.

Fresh air

Remove the film on the sheet indicated with letter A in Fig. D.

Use the flange Ø60mm (optional) and connect the pipe with anti-condensate insulation; the use of a fan for the duct (optional) must be provided with non-return valve and filter to prevent dust.

Remote air distribution

Remove the film on the sheet indicated with letter B in Fig. D.

Use the flange Ø150mm (optional) and connect the pipe for air distribution in the adjacent room.

It is recommended the closing of the air vent on the panel in correspondence of the duct of remote air distribution.

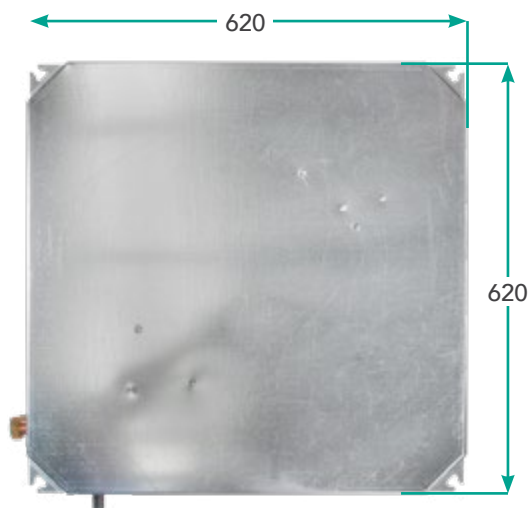


Fig. A

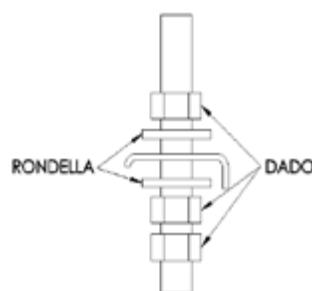


Fig. B

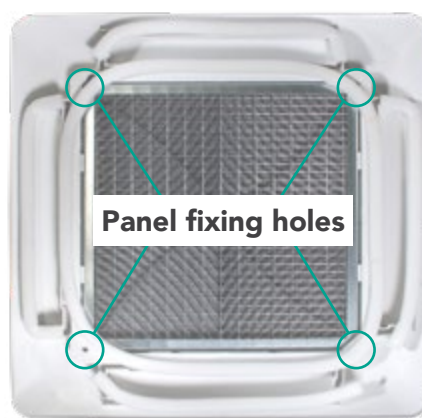


Fig. C

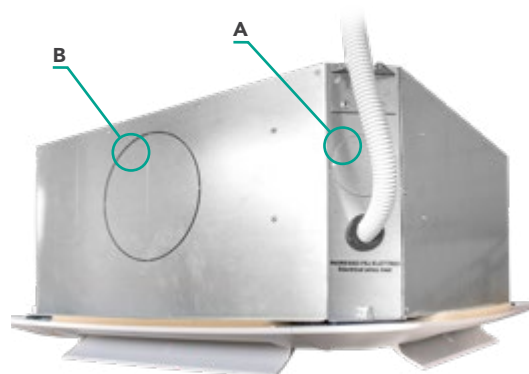


Fig. D

Hydraulic connections

It is essential a correct installation that provide also the anti-condensate insulation of the water pipes.

Always use adequate keys to avoid the damage of the connections.

The disposition of the water connections for the 2-pipes cassette is reported in Fig. E, while the one for the 4-pipes cassette is reported in Fig. F.

Condensate drain connections

For its proper functioning, it is recommended to fix the condensate drain duct with a minimum slope of 2cm/m.

Remember also that the maximum head of the pump is of 100 cm from the bottom edge of the unit. (Fig. G).

Any condensate loss because of an incorrect connection of the drain is not attributable to the manufacturer.

Valves condensate tray mounting (optional)

The auxiliary tray collects the condensate formed near the water connections and the valves.

Fix the tray to the structure with the screws provided in the position shown in Fig. H, making sure pipes and insulation do not tilt it, hindering the drain.

Electrical connections

The electrical connections must be performed by specialists, in accordance with all national electrical standards and AS3000.

Before making any connection the power must be turned off.

Use the appropriate electrical cable to match the maximum drawn current as shown on the label of the technical data on the unit.

Insert the wires from the grommet, placed in the corner of the structure, and connect wires to the terminal as described in Fig. I.

Connect respecting the instructions given in the scheme attached, according to the unit typology and accessories.

After the wiring, the wires must be securely fixed to the structure to prevent any snag during the maintenance operations to adjacent devices.

The incorrect connection and/or the failure to respect the national regulations void the guarantee and any other responsibility of the manufacturer.



Fig. E



Fig. F

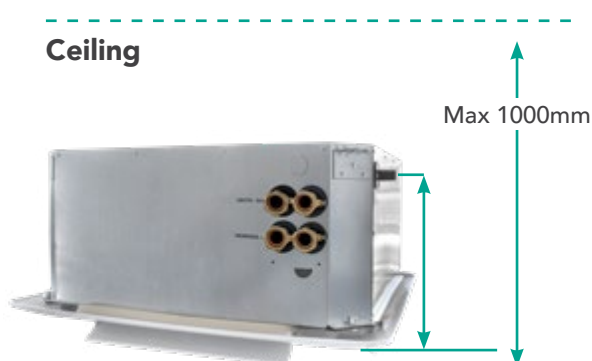


Fig. G

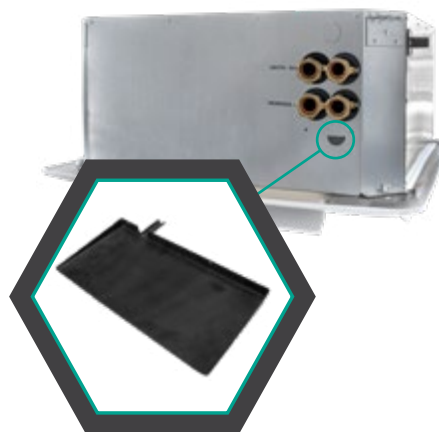


Fig. G



Fig. I

Cleaning and maintenance

Before maintenance, make sure the power to the unit is turned off.

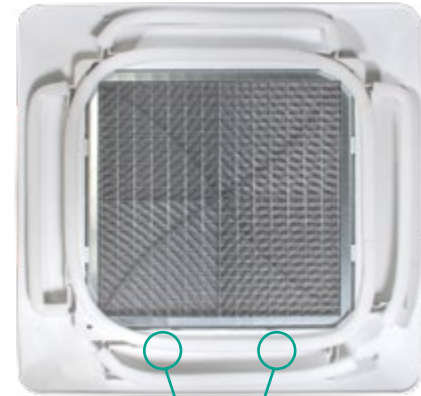
Only qualified specialists can intervene.

The only component of the cassette that needs cleaning and maintenance is the filter, placed on the air intake (unless there is the breakage of other components).

The filter must be cleaned with every season change, using a vacuum-cleaner or brushing it.

To perform this operation, follow the steps below:

- With the help of a flat-blade screwdriver rotate of 90° the locks placed on the intake grid of the front panel as shown in Fig. L.
- Remove the filter from the inner rails, being careful not to break them as shown in Fig. M.
- Once cleaned, re-insert the filter into the guide and close the grid by turning the locks of 90 ° in the opposite way than the opening.
- Always reassemble the filter after cleaning it before restarting the cassette.



Locks

Fig. L

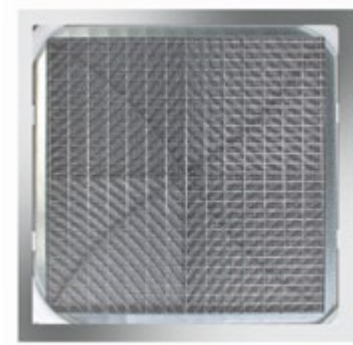
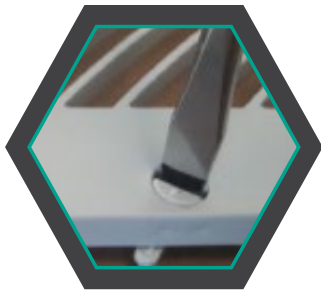
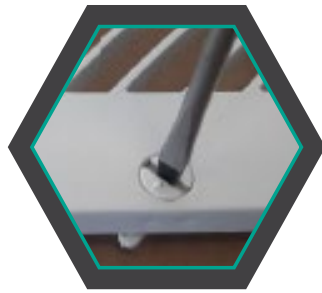


Fig. M

Use suitable size flat head screwdriver



Yes



No

Malfunctions and corrective actions

Fan does not run

Corrective Actions:

- Make sure that the machine is powered.
- Check if some switches or fuses are.
- Check the correct wiring of the unit (qualified personnel only).
- Check if the thermostat is set in the right way.

Low air flow

Corrective actions:

- Select a higher fan speed.
- Replace or clean the filter.

The appliance leaks water

Corrective actions:

- Monitor and improve the insulation of the water pipes.
- Tighten the water attacks.
- Fix the unit perfectly horizontally.
- Clean the dip tray.
- Check and clean the pipe of the condensate drain.
- Monitor the proper functioning of the condensate drain pump.
- Check the slope of the condensate collection tray.

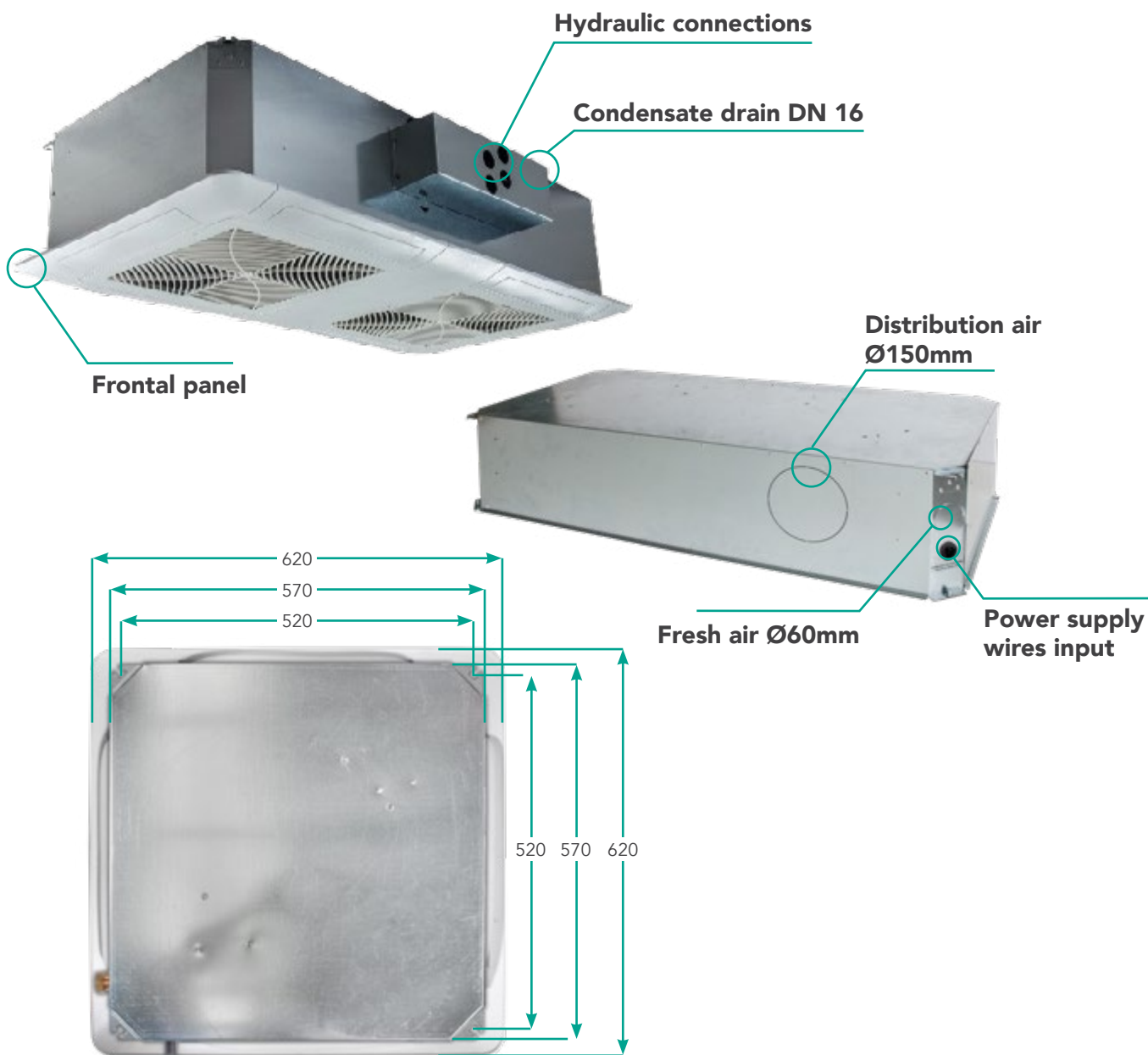
The unit does not cool/heat

Corrective actions:

- Lower/raise the set temperature on the thermostat.
- Check that the chiller/boiler and circulation pump are turned on.
- Bleed the water pipes.
- Check if the thermostat is not installed in a warmer/cooler area.
- Clean the air filter.

Double Cassette

Unit description and dimension



Side view



Operating limits

- Maximum temperature of flow: 70°C / minimum temperature of flow: 4°C
- Maximum working pressure: 10bar
- Minimum room temperature: 4
- Installation: height max 4 m – better 3,5 m to avoid heating stratification

Installation

- Fix the unit on a ceiling or a solid support without vibrations.
- Do not install the appliance in a space exposed to sunlight or heat sources, vapor or flammable gas.
- Install the cassette so that the inlet and outlet air ducts are not obstructed; the air must circulate freely throughout the area that has to be air-conditioned.
- Install the unit in an easily accessible location, not to hinder the maintenance operations.

Unit fixing

The location of the cassette installation must be chosen so that all around the unit perimeter there is a space of at least 100 cm existing system (electrical or hydraulic) The machine must be fixed to the ceiling by the means of threaded rods with anchors adjusted according to the type of structure (to be provided by others) as described:

- The 4 hole positions in the structural ceiling must first be marked and the holes for the threaded rods must then be drilled (the dimensions are shown by Fig. A).
- The threaded rods must be securely fixed in the ceiling (their length depends on the distance between the ceiling and the structural ceiling).
- The unit must be lifted inserting the threaded rods in correspondence with the fixing slots and then blocked, using adequate washers and nuts (the arrangement is shown in Fig. B).
- Verify, using a spirit level, that the machine is perfectly horizontal and then fix the nuts and locknuts.

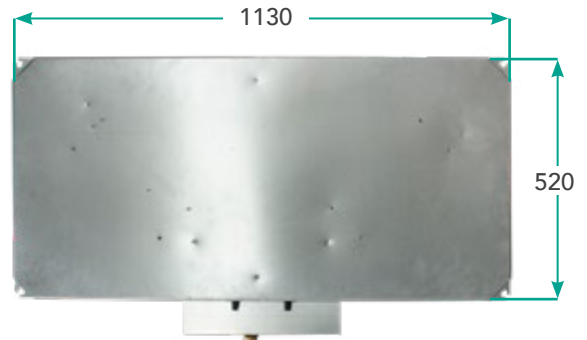


Fig. A

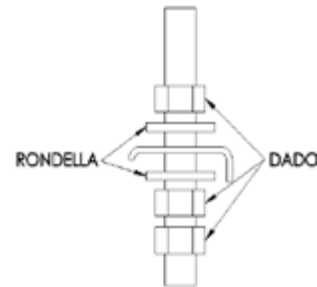


Fig. B

Panel fixing

Fixed tightly the unit, the plastic panel must be mounted using only and exclusively the screws provided (holes position in Fig. C).

To prevent the deformation of the grid, be careful not to overtighten the screws.

Renewal system and remote air distribution

The side openings allow the separate realisation of an external air intake duct for the renewal and of an air hose duct for an adjacent room.

Fresh air

Remove the film on the sheet indicated with letter A in Fig. D.

Use the flange Ø60mm (optional) and connect the pipe with anti-condensate insulation; the use of a fan for the duct (optional) must be provided with non-return valve and filter to prevent dust.

Remote air distribution

Remove the film on the sheet indicated with letter B in Fig. D.

Use the flange Ø150mm (optional) and connect the pipe for air distribution in the adjacent room.

It is recommended the closing of the air vent on the panel in correspondence of the duct of remote air distribution.

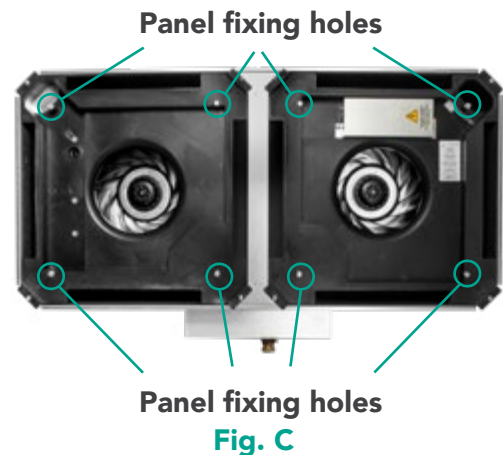


Fig. C

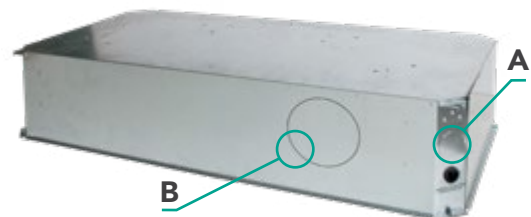


Fig. D

Hydraulic connections

It is essential a correct installation that provide also the anti-condensate insulation of the water pipes.

Always use adequate keys to avoid the damage of the connections.

The disposition of the water connections for the 2-pipes cassette is reported in Fig. E, while the one for the 4-pipes cassette is reported in Fig. F.

Condensate drain connections

For its proper functioning, it is recommended to fix the condensate drain duct with a minimum slope of 2cm/m.

Remember also that the maximum head of the pump is of 100 cm from the bottom edge of the unit. (Fig. G)

Any condensate loss because of an incorrect connection of the drain is not attributable to the manufacturer.

Valves condensate tray mounting (optional)

The auxiliary tray collects the condensate formed near the water connections and the valves.

Fix the tray to the structure with the screws provided in the position shown in Fig. H, making sure pipes and insulation do not tilt it, hindering the drain.

Electrical connections

The electrical connections must be performed by specialists, according to the national electrical standards in force.

Before making any connection the power must be turned off.

Use the appropriate wire gauge to the maximum drawn current as shown on the label of the technical data on the unit.

Insert the wires from the grommet, placed in the corner of the structure, and lay them up to the terminal as described in Fig. I.

Connect respecting the instructions given in the scheme attached, according to the unit typology and accessories.

After the wiring, the wires must be securely fixed to the structure to prevent any snag during the maintenance operations to adjacent devices.

The incorrect connection and/or the failure to respect the National regulations void the guarantee and any other responsibility of the manufacturer.



Fig. E



Fig. F

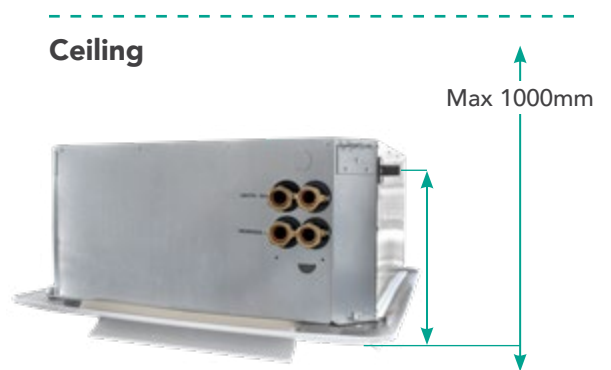


Fig. G

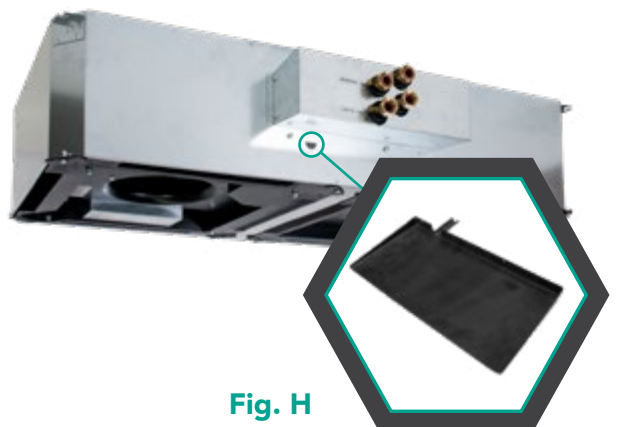
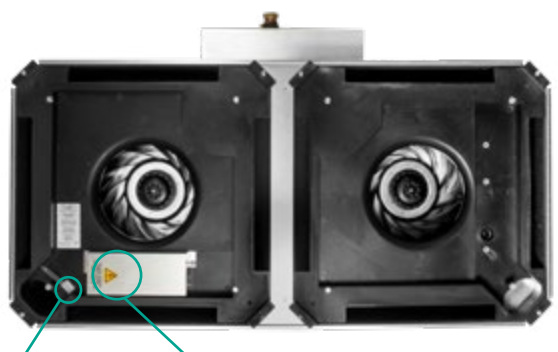


Fig. H



Wire route Terminal

Fig. I

Cleaning and maintenance

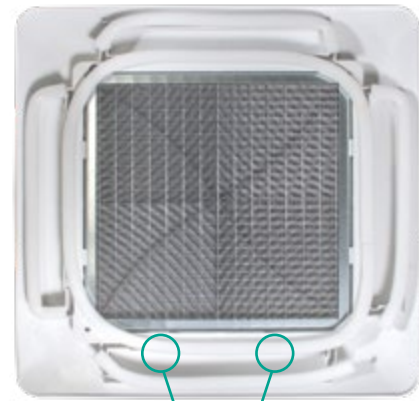
Before maintenance, make sure the power to the unit is turned off.
Only qualified specialists can intervene.

The only component of the cassette that needs cleaning and maintenance is the filter, placed on the air intake (unless there is the breakage of other components).

The filter must be cleaned with every season change, using a vacuum-cleaner or brushing it.

To perform this operation, follow the steps below:

- With the help of a flat-blade screwdriver rotate of 90° the locks placed on the intake grid of the front panel as shown in Fig. L;
- Remove the filter from the inner rails, being careful not to break them as shown in Fig. M;
- Once cleaned, re-insert the filter into the guide and close the grid by turning the locks of 90 ° in the opposite way than the opening.
- Always reassemble the filter after cleaning it before restarting the cassette.



Locks
Fig. L

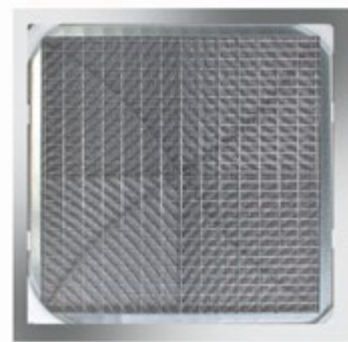
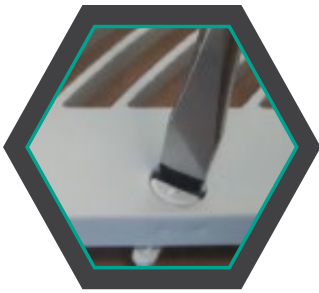
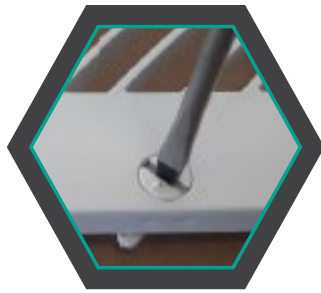


Fig. M

Use suitable size flat head screwdriver



Yes



No

Malfunctions and corrective actions

Fan does not run

Corrective Actions:

- Make sure that the machine is powered.
- Check if some switches or fuses are.
- Check the correct wiring of the unit (qualified personnel only).
- Check if the thermostat is set in the right way.

Low air flow

Corrective actions:

- Select an higher fan speed.
- Replace or clean the filter.

The appliance leaks water

Corrective actions:

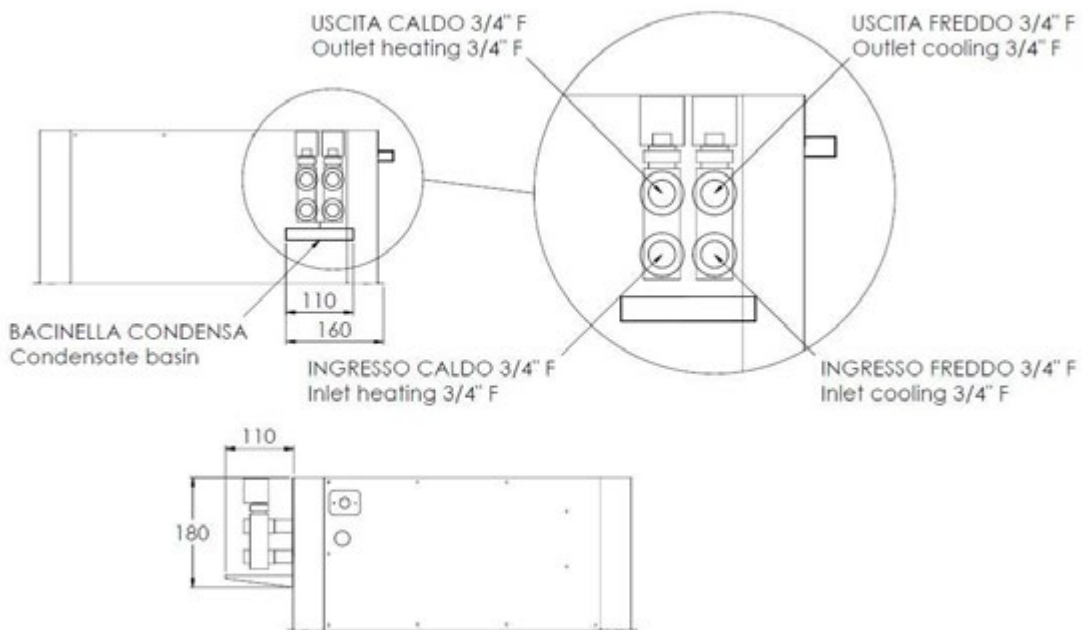
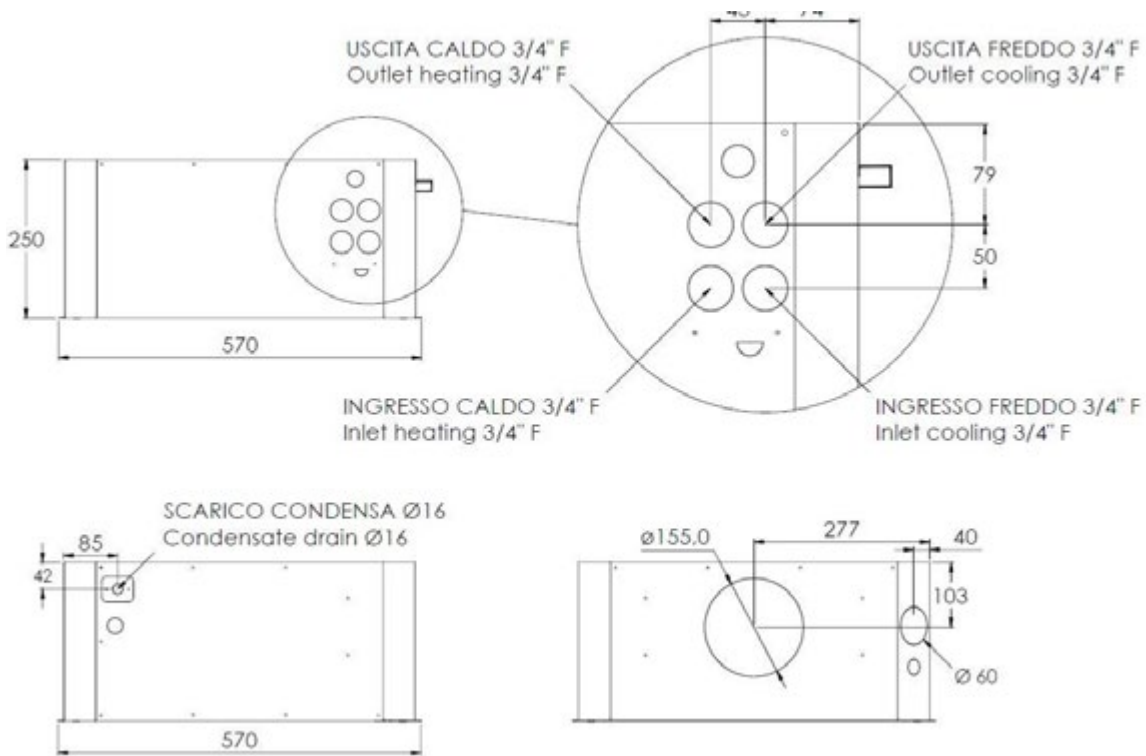
- Monitor and improve the insulation of the water pipes.
- Tighten the water attacks.
- Fix the unit perfectly horizontally.
- Clean the dip tray.
- Check and clean the pipe of the condensate drain.
- Monitor the proper functioning of the condensate drain pump.
- Check the slope of the condensate collection tray.

The unit does not cool/heat

Corrective actions:

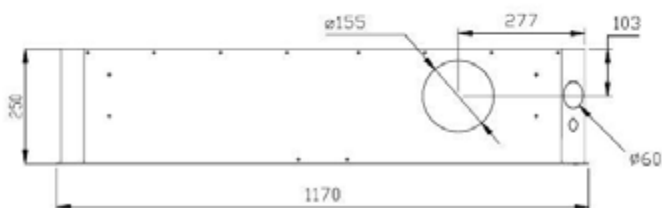
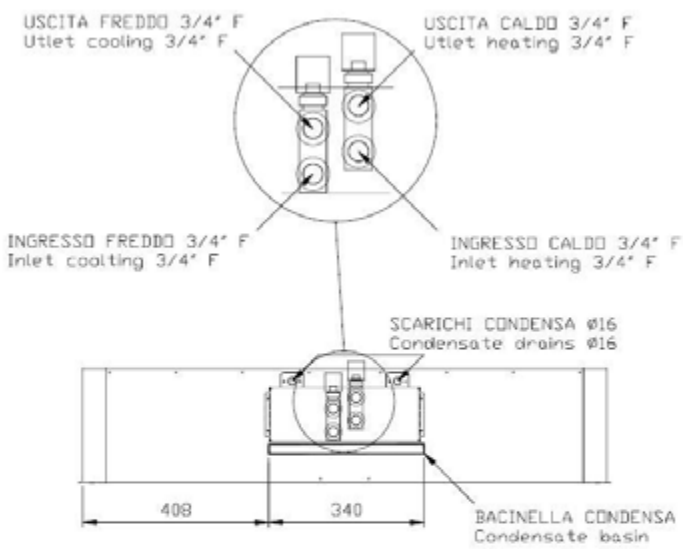
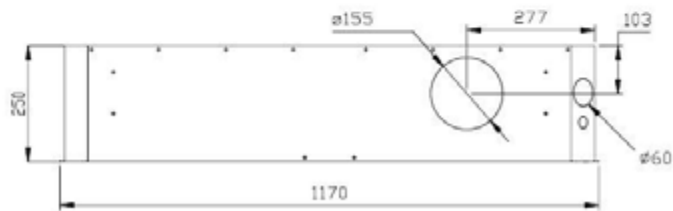
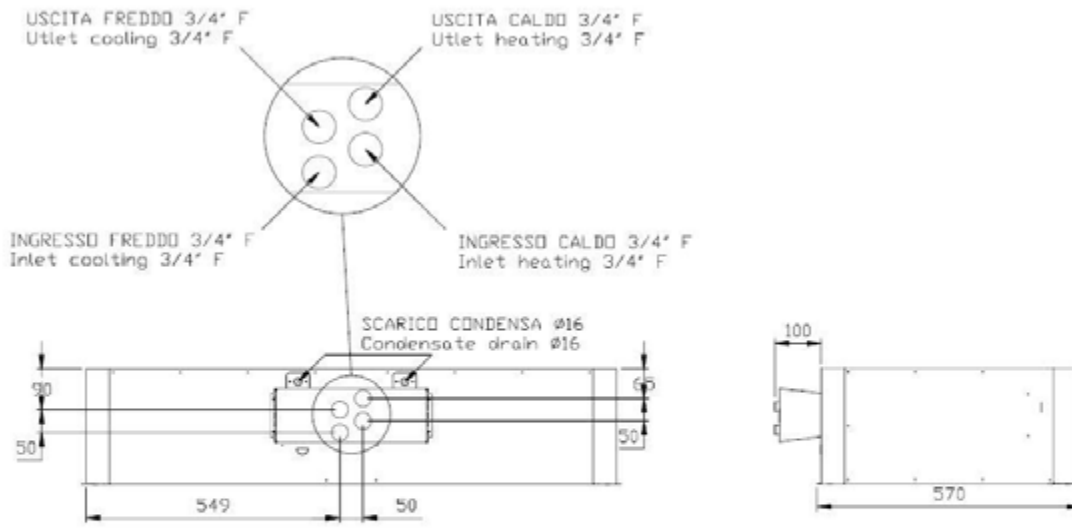
- Lower/raise the set temperature on the thermostat.
- Check that the chiller/boiler and circulation pump are turned on.
- Bleed the water pipes.
- Check if the thermostat is not installed in a warmer/cooler area.
- Clean the air filter.

Single Water connections



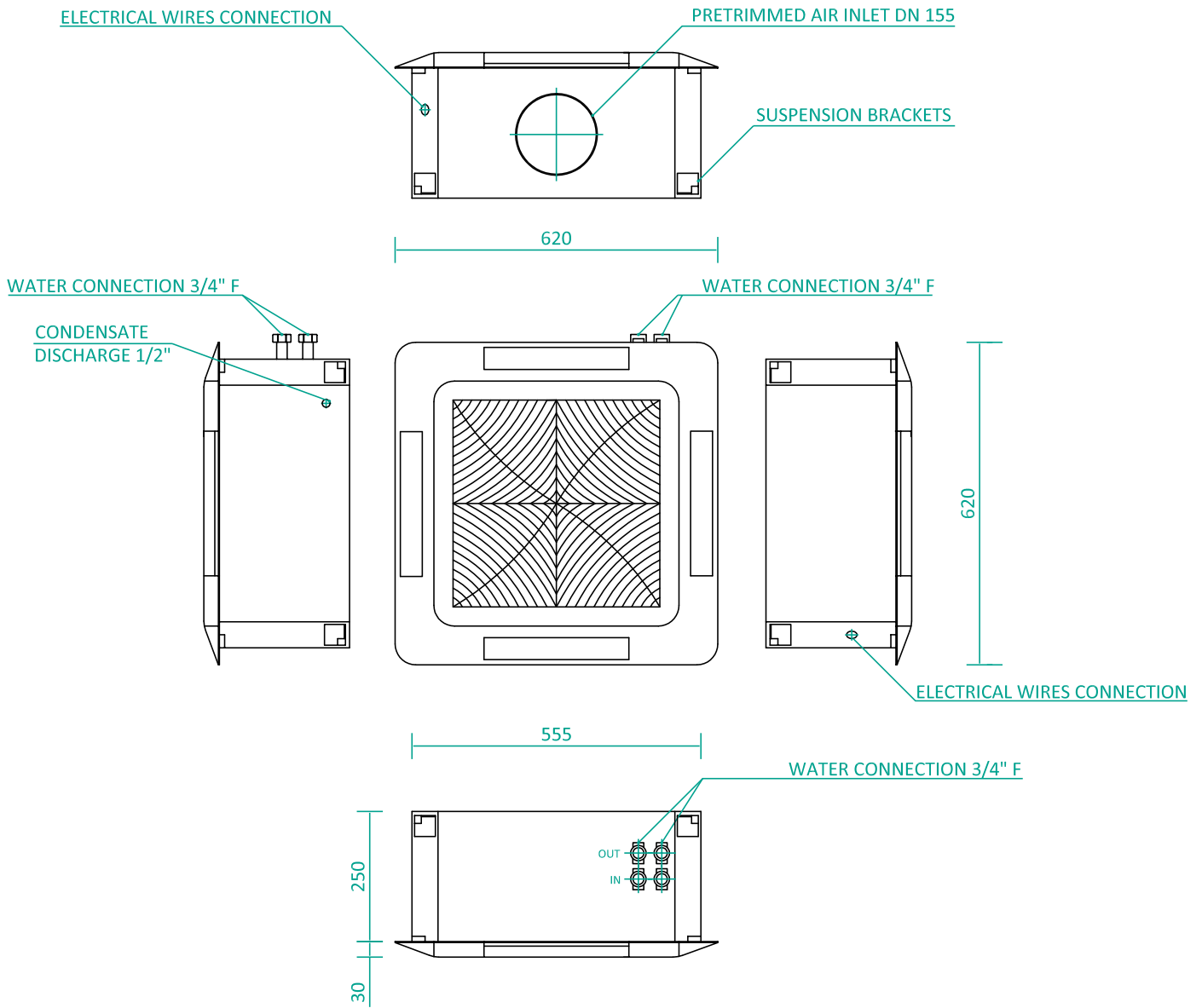
All technical data and dimensions shown are subject to change without prior notice from the manufacturer

Double Water connections

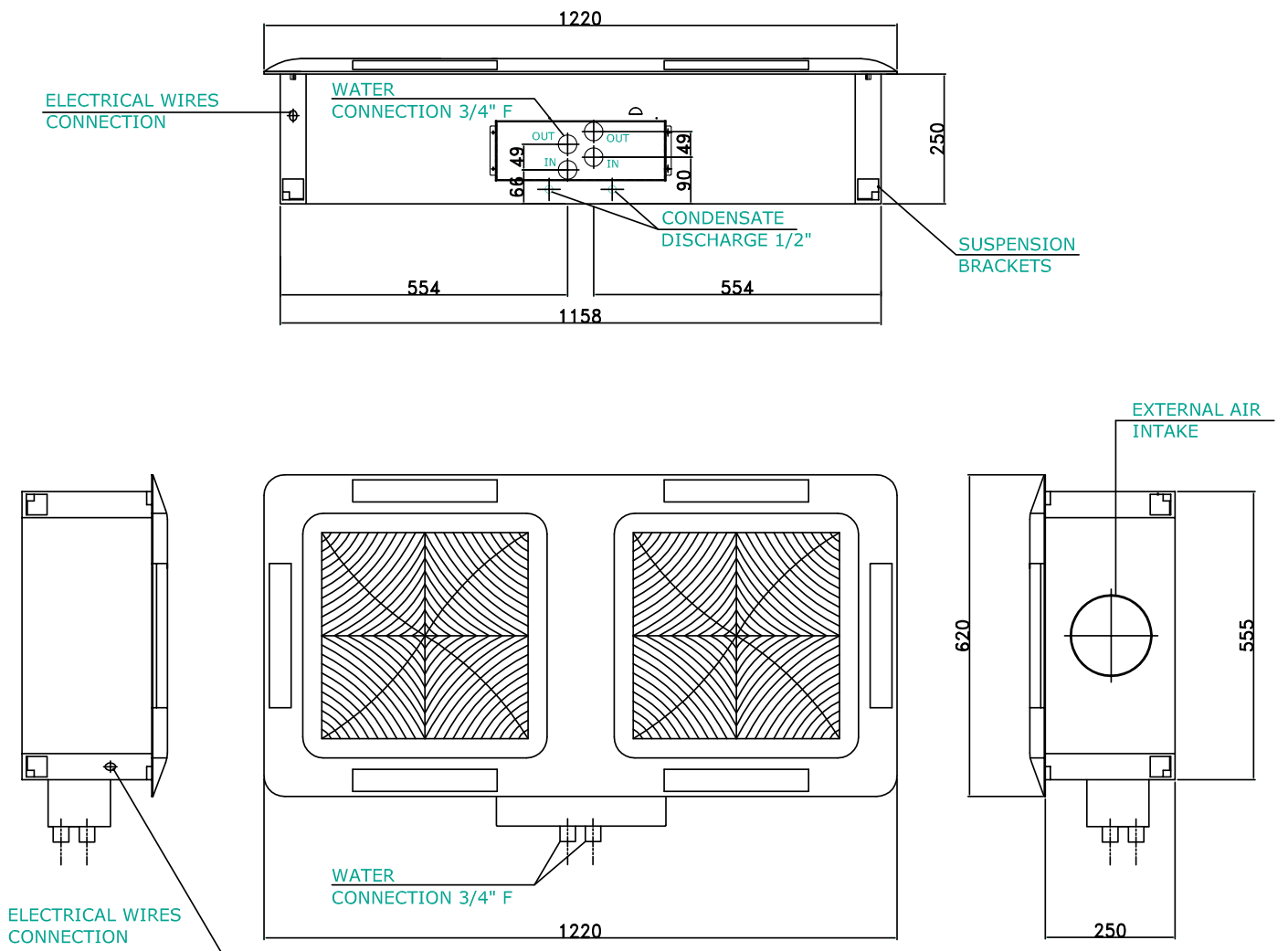


All technical data and dimensions shown are subject to change without prior notice from the manufacturer

Single Dimensional drawings



Double Dimensional drawings



Use manual for wireless remote control CT-CD



This wireless remote control is an universal type and it is employed for various types of terminal units; use only the functions of the buttons that are described in this manual.

Functions of wireless remote control

Modes of unit operation:

- Auto (not used)
- Cool (Cooling): in this mode, the unit cools and dries the room; press - / + for set a lower temperature than the ambient to start that cycle.
- Dry (Dehumidification): in this mode, the unit alternates cycles of cooling and ventilation; the operation is automatic: it set alone the fan speed.
- Fan (Ventilation): in this mode, the unit work only in ventilation.
- Heat (Heating): in this mode, the unit heats the room; press - / + for set a higher temperature than the ambient to start that cycle.

Fan

Fan speed adjustment: press this button to set the fan speed:

AUTO (automatic by the need cool/heat)

- (min speed)
- (med speed)
- (max speed)

LEDs on unit panel

GREEN LED - unit is cooling/heating

GREEN LED FLASHING - the unit has reached the set temperature and it's still.

ALARM - meaning frequency of simultaneous flashing of the green and yellow LEDs:

- 4 BLINKING IN 1": condensate drain pump broken
- 1 BLINKING 0,5" AND OFF 0,5": air probe broken
- 2 BLINKING IN 0,5" AND OFF 1": tube probe broken

Warnings

- Be sure that there aren't obstructions between receiver and remote control
- Don't throw or drop the remote control
- Use only new batteries (2pcs. AAA 1,5V) and pay attention to the polarity
- The unit is equipped with Autorestart: when power supply is switch off and after switch off, the device restart with the same sets (mode of operation, fan, ecc).

For any problem, call technical support or supplier.



Series "CT" single fan cassettes

OPTIONAL CONTROLLER A70

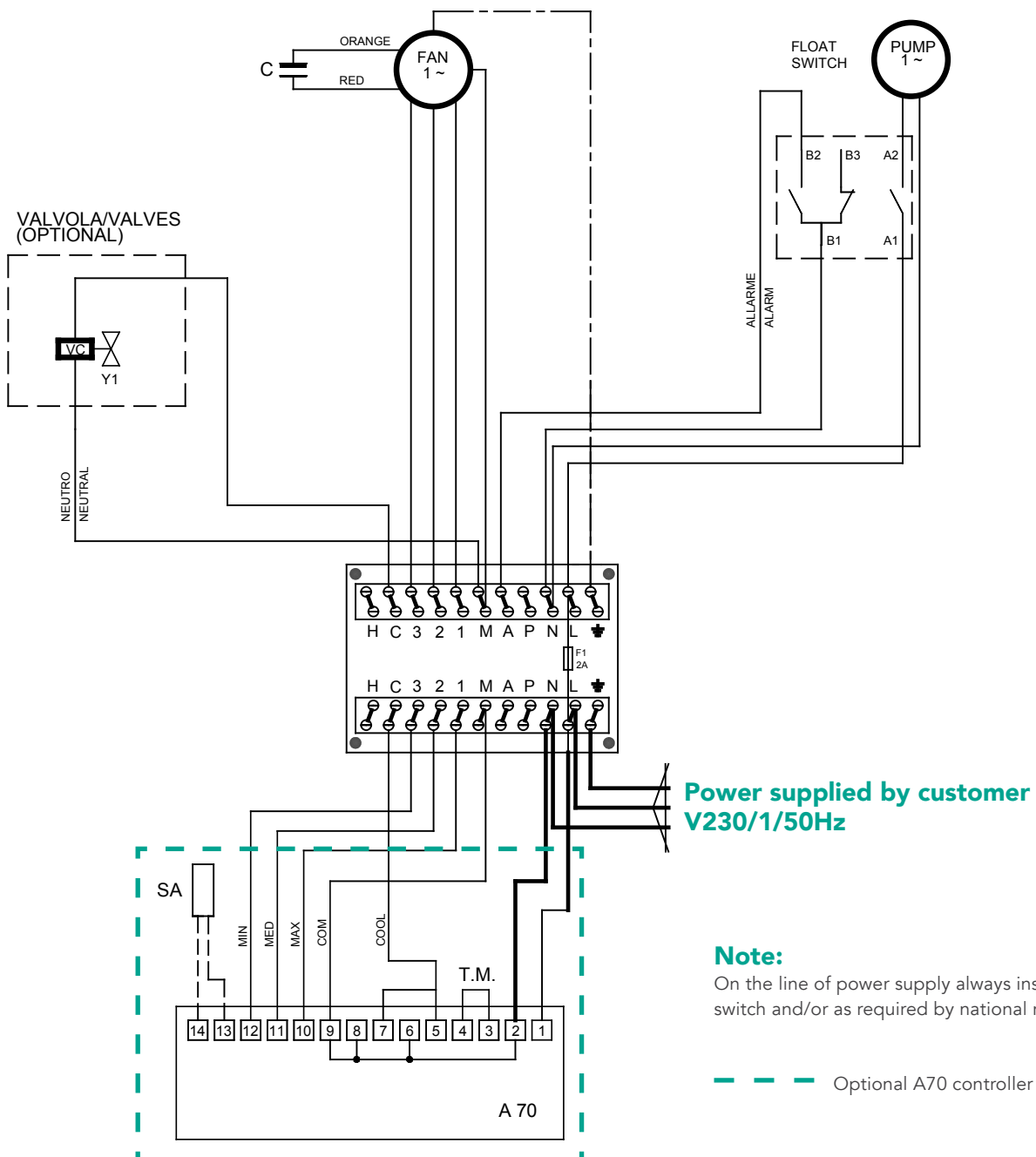
The constructor's policy is of continuous improvement, it reserves the right to change design and specifications without notice.

Terminal Description

L	Power s. pump L (brown)
N	Power s. pump+com. alarm N (blue + black)
P	Free
A	NA contact alarm N max 1A (red)
M	Com. fan+valves N (blue + blue)

Terminal Description

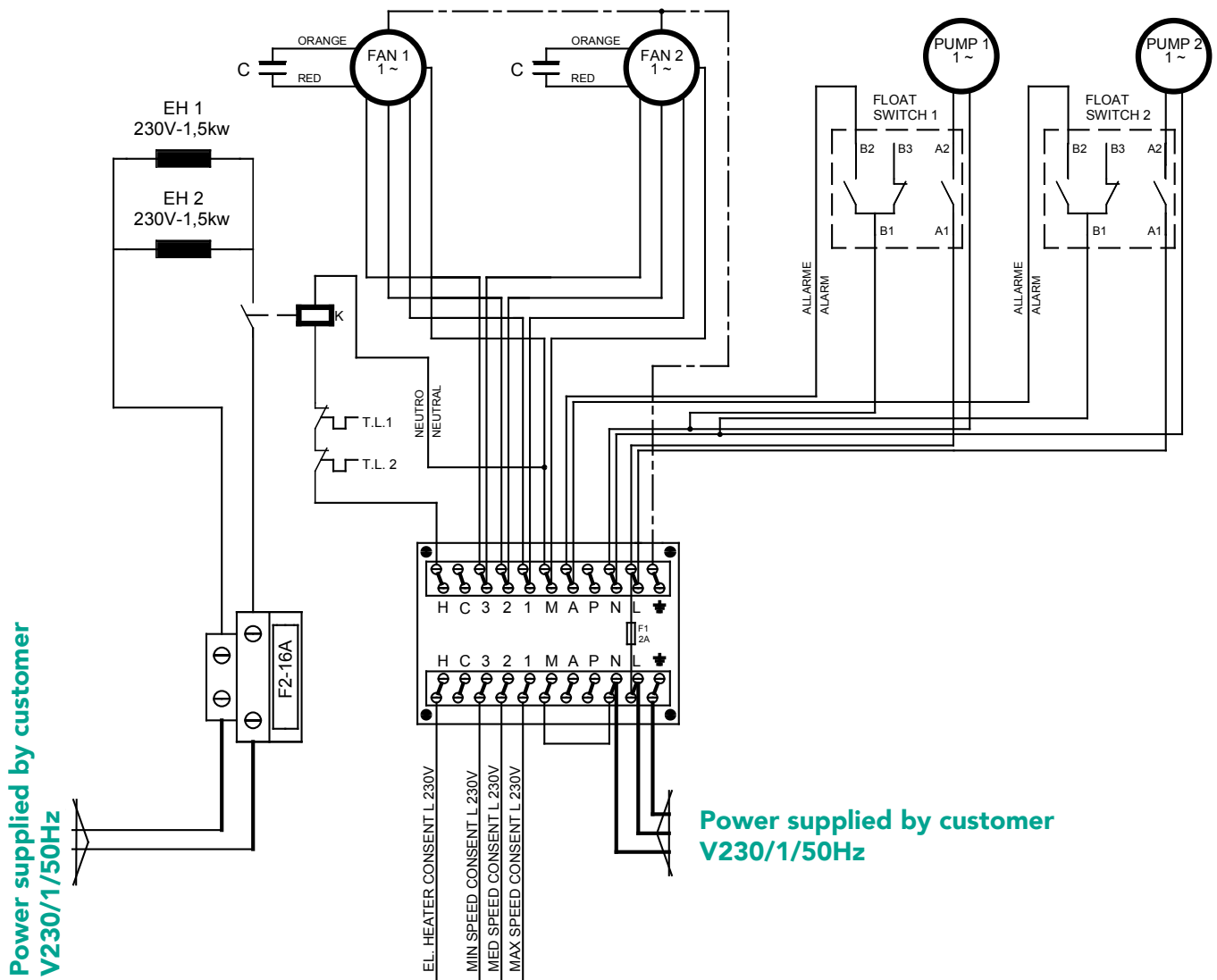
1	MAX speed L (red)
2	MED speed L (brown)
3	MIN speed L (black)
C	Cool/heat valve consent L (Y1)
H	Heat valve consent L (Y1)



Series "CT" single fan cassettes with electric heater

The constructor's policy is of continuous improvement, it reserves the right to change design and specifications without notice.

Terminal Description		Terminal Description	
L	Power s. pump L (brown)	1	MAX speed L (red)
N	Power s. pump+com. alarm N (blue + black)	2	MED speed L (brown)
P	Free	3	MIN speed L (black)
A	NA contact alarm N max 1A (red)	C	Cool/heat valve consent L (Y1)
M	Com. fan+valves N (blue + blue)	H	Heat valve consent L (Y1)



Note:

On the line of power supply always install differential switch and/or as required by national regulations.

Series "CD" double fan cassettes

OPTIONAL CONTROLLER A70

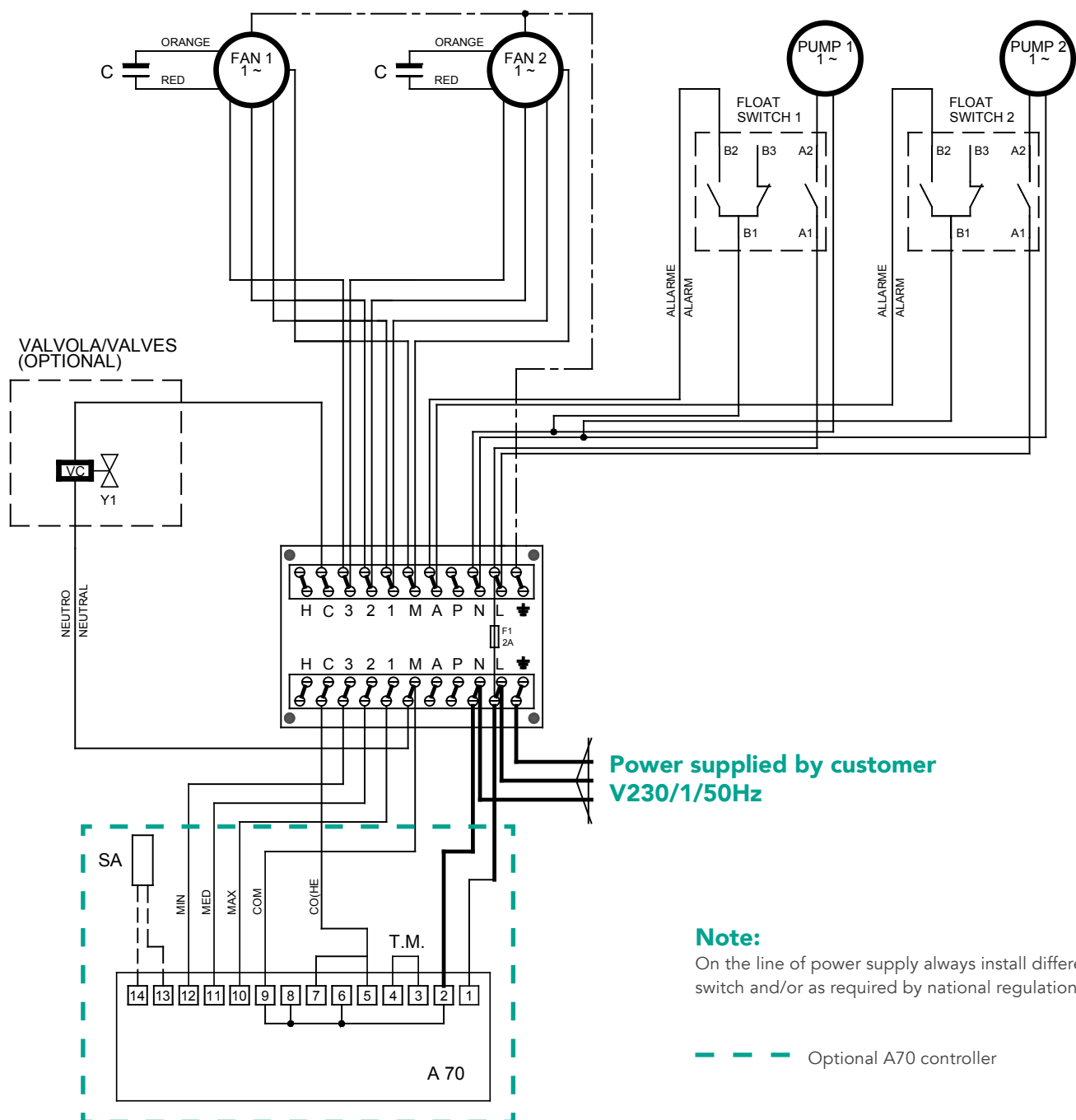
The constructor's policy is of continuous improvement, it reserves the right to change design and specifications without notice.

Terminal Description

L	Power s. pump L (brown)
N	Power s. pump+com. alarm N (blue + black)
P	Free
A	NA contact alarm N max 1A (red)
M	Com. fan+valves N (blue + blue)

Terminal Description

1	MAX speed L (red)
2	MED speed L (brown)
3	MIN speed L (black)
C	Cool/heat valve consent L (Y1)
H	Heat valve consent L (Y1)

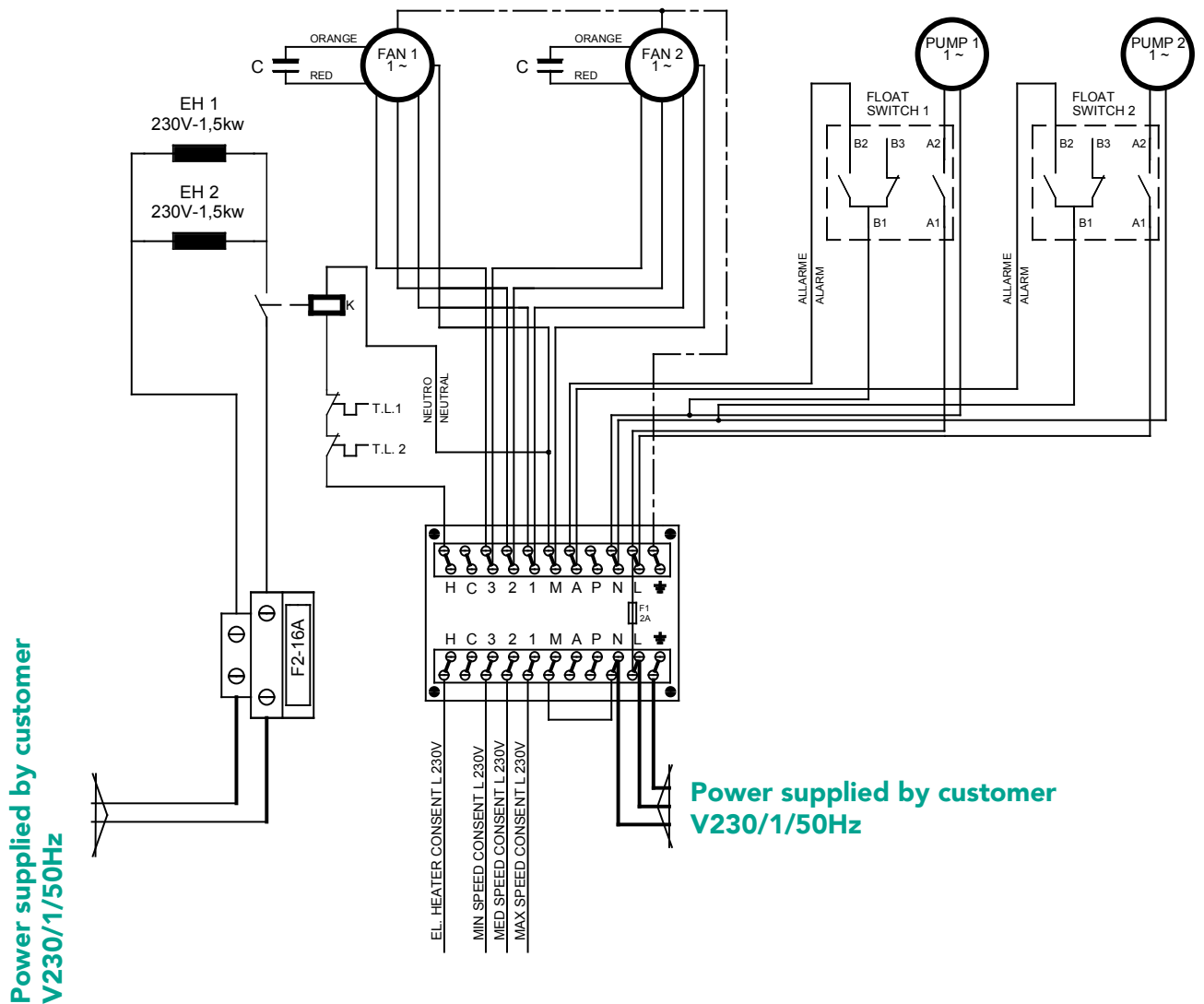


Series "CD" double fan cassettes with electric heater

The constructor's policy is of continuous improvement, it reserves the right to change design and specifications without notice.

Terminal Description	
L	Power s. pump L (brown)
N	Power s. pump+com. alarm N (blue + black)
P	Free
A	NA contact alarm N max 1A (red)
M	Com. fan+valves N (blue + blue)

Terminal Description	
1	MAX speed L (red)
2	MED speed L (brown)
3	MIN speed L (black)
C	Cool/heat valve consent L (Y1)
H	Heat valve consent L (Y1)



Note:

On the line of power supply always install differential switch and/or as required by national regulations.

Recent projects

Ballina State High School
New South Wales



OCCU Dental Practice
Queensland



Neura Hospital
New South Wales



QUT Education Precinct
Queensland



Prince Charles Hospital
Queensland



James Cook University
Queensland



ENGINEERED
HVAC SOLUTIONS



oceania
SOLUTIONS GROUP

For more information on our latest projects, visit www.oceania-group.com

PO Box 429
Cannon Hill QLD 4170
info@oceania-group.com

www.oceania-group.com

Click to follow
our socials

